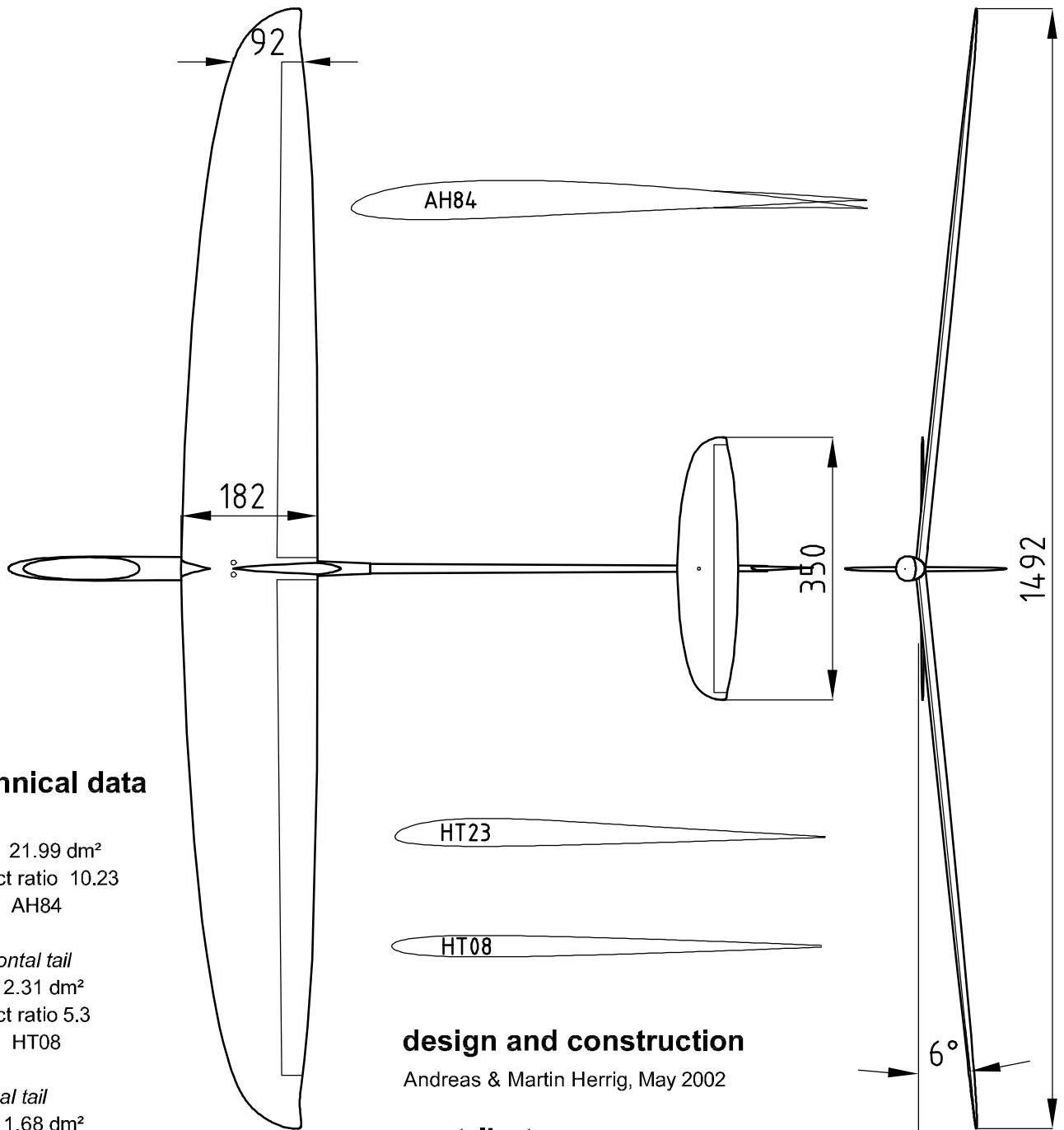
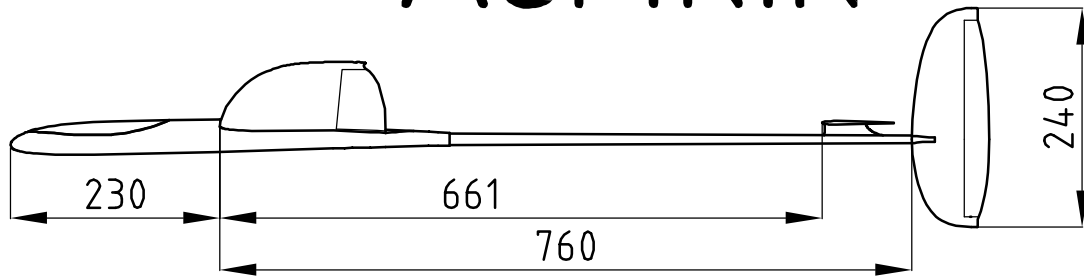


ASPIRIN²⁰⁰⁵



technical data

wing

area 21.99 dm²
 aspect ratio 10.23
 airfoil AH84

horizontal tail

area 2.31 dm²
 aspect ratio 5.3
 airfoil HT08

vertical tail

area 1.68 dm²
 aspect ratio 3.43
 airfoil HT23

mass 250 - 265 g
 wing loading 11.4 - 12.0 g/dm²

design and construction

Andreas & Martin Herrig, May 2002

contributors

Stephan Herrig, Martin Hirsch, Siegfried Schedel, Mr. Hamatschek,
 Jens Buchert, Peter Jost

©Andreas Herrig - not for unauthorized commercial use!